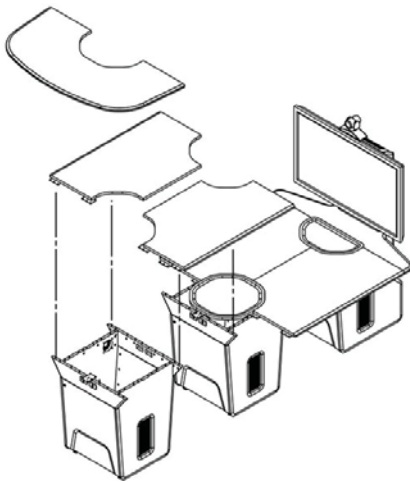


T628/T628T Extension Table Extension



T628 Table + Extension shown



T628T Table + Extension shown

Finishes



T628/T628T Extension is for larger rooms. The table T628 can be extended to accommodate 4 additional people. Includes base and island piece.

Standard Features

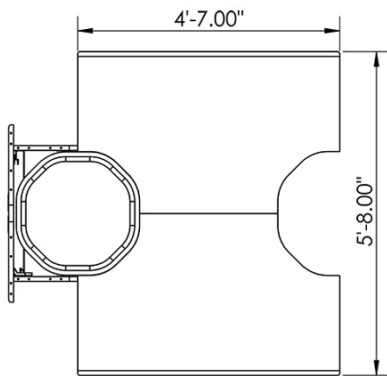
- Seats 4 people. Adds 55" length
- Fits collaboration table T628, T628-NE, T628T and T628T-NE (Please specify table model when ordering)

Options (Table)

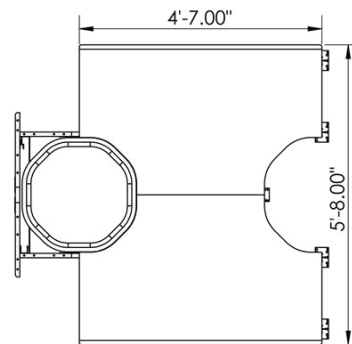
- **PLM1022** 10" - 24" LCD monitor mount
- **PB** Six outlet power bar with 10 ft. cord
- **CUB3** Round cable well
- **CUB5** Round cable well
- **CUB4** Black-B/Silver-S Power Panel
- **CUB8** Table top cable well
- **PC-PATCH** 2x 110AC, RJ45, Phone, 2x USB
- **SF-PB3** Surface mounted 3-outlet 120V power bar
- **CHGQIW/B** Wireless charging station white or black
- **CHGQI-DNGL** Dongle Lightning, USB Type-C, Micro-USB. Requires CHGQIW/B
- **9031** Vented metal shelf
- **9041** Sliding shelf
- **9052** Sliding drawer
- **DIR9200-10** 10U drop-in rack
- **GRC60** 60mm Round grommet. Black-B, white-W & grey-G
- **CUSTOM CUTOUT** Cutouts for electronics or other items specified by the customer

Specifications

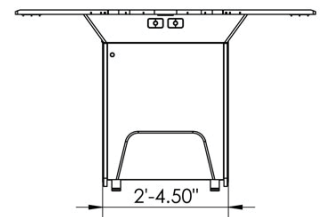
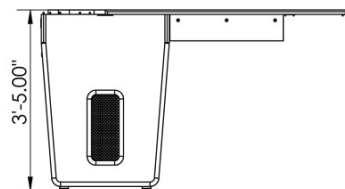
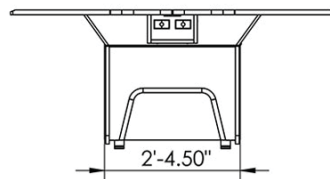
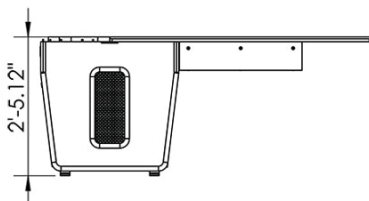
Model: T628/T628T Extension
Width: 68"
Depth: 55"
Height: 30" & 42"



T628 Extension



T628T Extension



The information contained in this drawing is the sole property of Audio Visual Furniture International. Any reproduction in part or as a whole without the written permission of Audio Visual Furniture International is prohibited. AVFI can build or modify stock configurations to suit customer specifications. Please contact us to discuss how this service can help meet your needs. Some quantity restrictions may apply. Specification subject to change without notice. Computers, cameras, monitors, etc. are shown to illustrate product usage and are not included unless otherwise noted.